

## APPLICATION

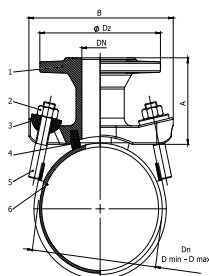
Service connections with flanges DN50 plumbing (potable water, sewage), industrial pipelines, other liquids chemically neutral.

## DESIGN FEATURES

- flanged outlet DN50, DN80 or DN100
- pipe diameters DN80 - DN300 / DN150-DN600
- seal EPDM (potable water) or NBR (gas)
- body - ductile iron GJS 500-7
- clamp - stainless steel AISI 304
- bolts - stainless steel A2
- custom made designs acc. to individual specification, are available

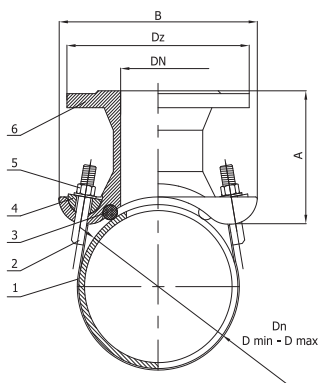
## TECHNICAL DATA, STANDARDS

- flanges acc. to PN-EN 1092-2
- nominal pressure DN80-DN150 – PN10/16, DN200-DN600 - PN10 or PN16
- temperature - max. 80°C
- anti-corrosive coating acc. to PN-EN 4624, DIN 30677-2



No	Name	Material	Standard
1	Obejma / Clamp / Klamy	GH189P / AISI 304	PN - EN 10088 - 1
2	Spilka / Pin / Liničr	GH189P / AISI 304	DIN 915
3	Uzavazka / Seal / Vyrovnawac	EPDM / NBR	PN - EN 681 - 1
4	Podkladka / Washer / Linača	PE / FD	
5	Naladka / Nut / Tahn	S225JR / Zn6	ISO 4032
6	Korpus / Body / Koptny	EN - GJS 500	PN - EN 1563

DN	Dn	Range	Height	Width	Flange	Weight [kg]
		D min-max [mm]	A [mm]	B [mm]	Dz [mm]	
50	80	88-98	115	200	165	5,20
50	100	108-118	115	200	165	5,25
50	125	133-144	115	200	165	5,30
50	150	159-170	115	200	165	5,30
50	175	191-200	115	200	165	5,35
50	200	216-225	115	200	165	5,40
50	225	241-250	115	200	165	5,70
50	250	267-280	115	200	165	5,75
50	300	315-326	115	200	165	5,80!



No	Name	Material	Standard
1	Clamp	GH189P / AISI 304	PN - EN 10088 - 1
2	Pin	GH189P / AISI 304	DIN 915
3	Seal	EPDM / NBR	PN - EN 681 - 1
4	Washer	PE / FD	
5	Nut	S225JR / Zn6	ISO 4032
6	Body	EN - GJS 500	PN - EN 1563

DN	Dn	Range	Height	Width	Flange	Weight [kg]
		D min-max [mm]	A [mm]	B [mm]	Dz [mm]	
80	150 3/4"	159-170	145	220	200	10,00
80	200 3/4"	216-225	140	235	200	10,50
80	250 3/4"	267-280	140	235	200	10,50
80	300 3/4"	315-326	140	235	200	10,50
80	350 st	355-368	135	258	200	11,00
80	350 z	375-385	135	258	200	11,00
80	400 st	406-419	135	258	200	11,00
80	400 z	428-438	135	258	200	11,00
80	500 st	508-521	135	258	200	11,50
80	500 z	530-540	135	258	200	11,50
80	600 st	610-622	135	258	200	12,00
80	600 z	630-640	135	258	200	12,00
100	150 3/4"	159-170	145	220	220	10,00
100	200 3/4"	216-225	140	235	220	10,50
100	250 3/4"	267-280	140	235	220	10,50
100	300 3/4"	315-326	140	235	220	10,50
100	350 st	355-368	135	258	220	11,00
100	350 z	375-385	135	258	220	11,00
100	400 st	406-419	135	258	220	11,00
100	400 z	428-438	135	258	220	11,00
100	500 st	508-521	135	258	220	11,50
100	500 z	530-540	135	258	220	11,50
100	600 st	610-622	135	258	220	12,00
100	600 z	630-640	135	258	220	12,00